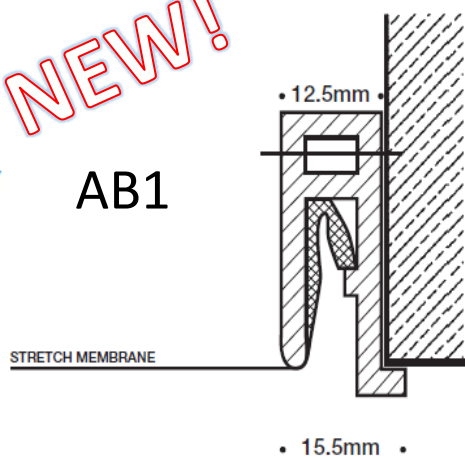


NEW!

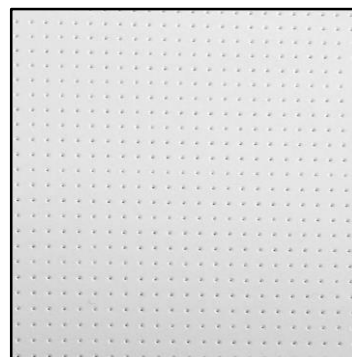
AB1



New plastic track section designed specifically to save time and costs.

- Eliminates the need to finish or skim the raw edge
- Gives a consistent, neat edge in a white finish.

New Class A Rated Acoustic Material



M-PERF

Rating ISO 11654, Class A

Tested to EN ISO 354 standard

Improved acoustic properties

Sound absorption co-efficient

Evaluated in accordance with EN ISO 11654 and ASTM C 423-09a

Available in Cristal White Translucent and Super Matt White



Both new track sections extruded in the UK



New aluminium extruded section specifically made for floating frames and the construction of slim lighting units with integrated LED fittings.

NEW!

TOB2

