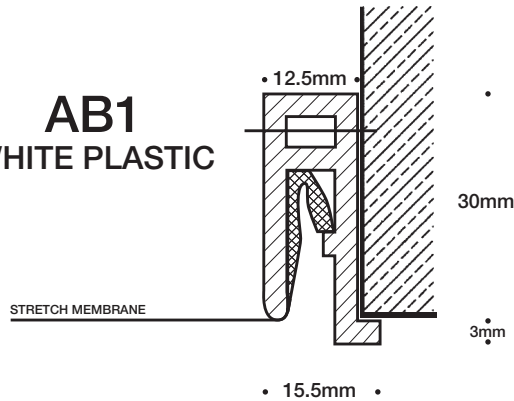


# TRACK SECTIONS IV

## NEW PRODUCTS FOR 2015

**AB1**  
WHITE PLASTIC



TRACK WEIGHT PER LIN/MT:  
**AB1 – 0.30KG, TOB2 – 1.5KG**

**TOB2**  
ALUMINIUM  
FRAME SECTION

